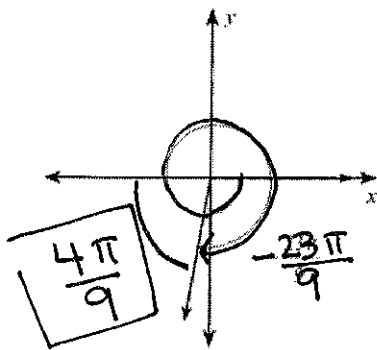


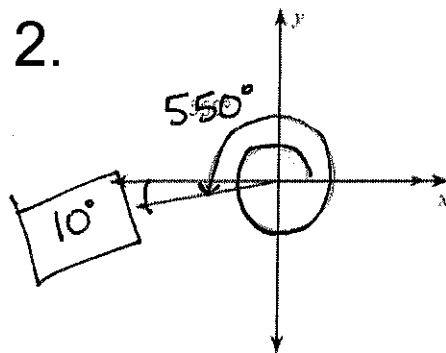
## Warm-up: Find the Reference Angles

1.



$$3\pi - \frac{23\pi}{9} = \frac{4\pi}{9}$$

2.



$$\begin{array}{r} 550 \\ -540 \\ \hline 10^\circ \end{array}$$