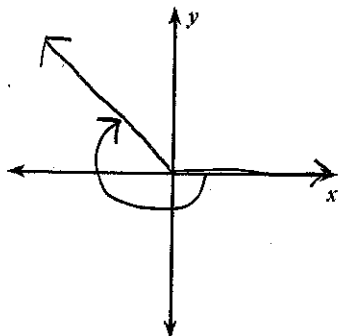


PreCalculus
Angles in Standard Position WS

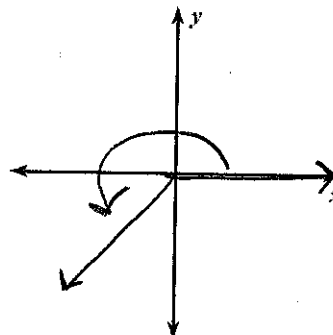
Name Key

Draw an angle with the given measure in standard position.

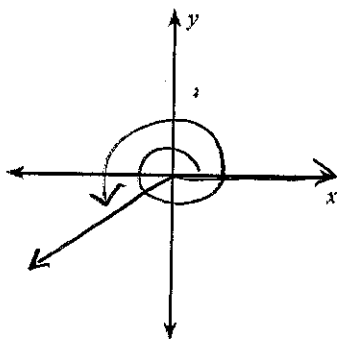
1) $-\frac{5\pi}{4}$



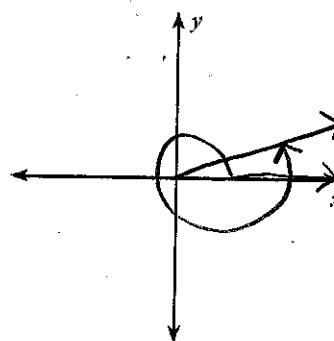
2) 235°



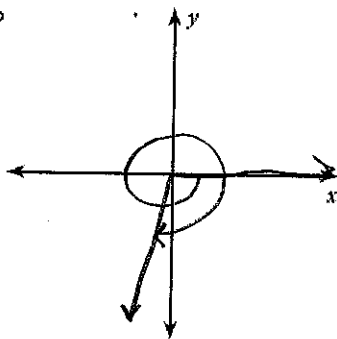
3) 576°



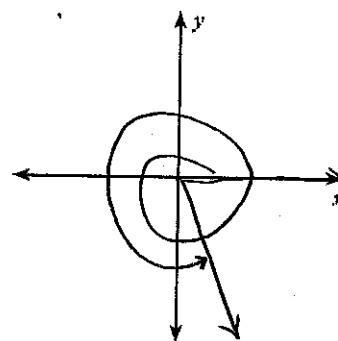
4) $\frac{13\pi}{6}$



5) -452°

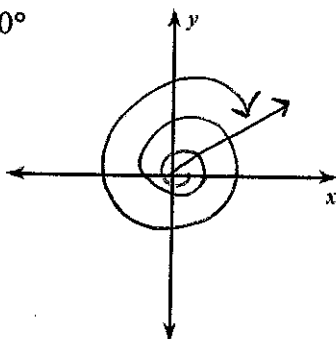


6) $\frac{43\pi}{12}$

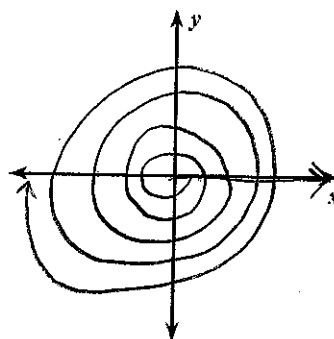


$\approx 3.6\pi$
 $= 3\frac{7}{12}\pi$

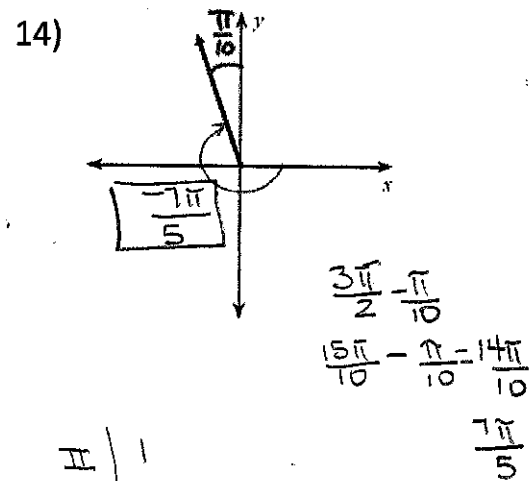
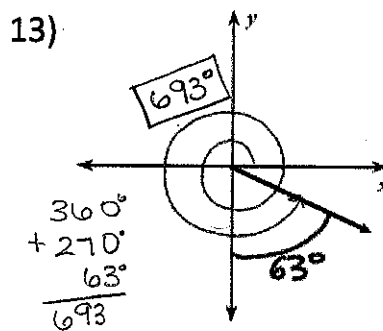
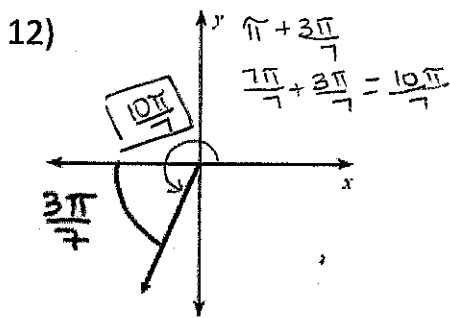
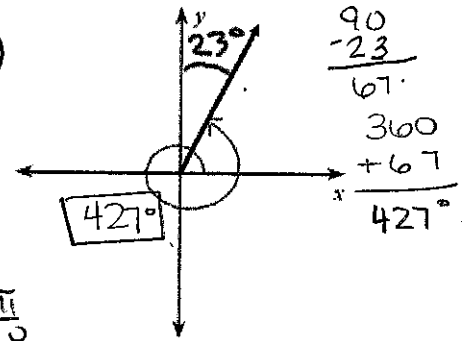
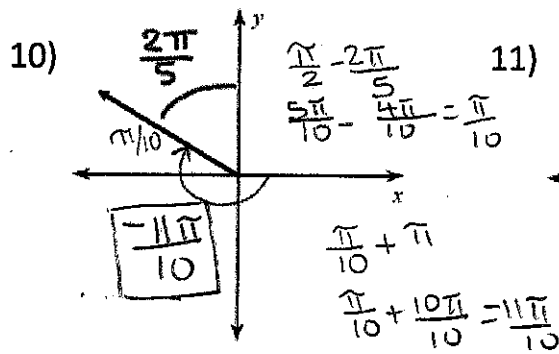
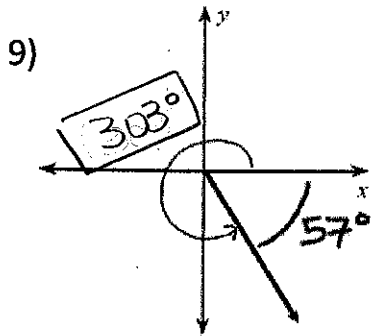
7) -1050°



8) -9π



Find the measure of each angle, using the same degree measure as shown in each picture.



State the quadrant in which the terminal side of each angle lies.

